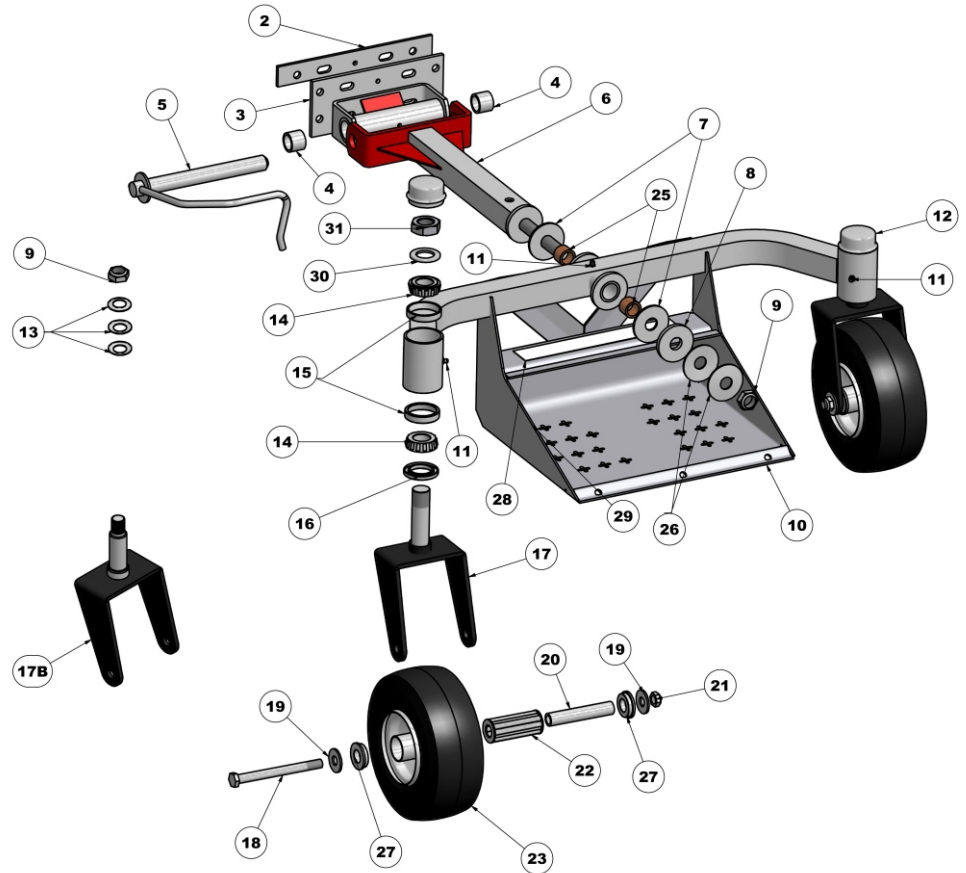




Professional Sulky

PS-2003 Parts

PS-2003 Parts List			
Ref. N	Part No.	Qt	Description
1	1020	1	Bolt Kit, Mounting Bracket (Not Shown)
2	1021	1	Stiffener Backing Plate (Optional)
3	1038-2HD	1	Mounting Bracket Assembly
4	1018	2	Sintered Iron Bushing
5	1035	1	Kick Pin
6	1039	1	Forearm, Pivot Linkage
7	1046	2	Bronze Thrust Washer
8	1012	1	Washer, Special Heavy Duty
9	1034	3	Nut, ESN
10	1050	1	Deck Pan Assembly
11	1032	6	Grease Fitting
12	1036	2	Dust Cap, Bearing Housing
13	1019	6	Washer, Spring
14	1043	4	Bearing, Tapered Cone
15	1024	4	Bearing, Tapered Cup
16	1015	2	Seal, Grease
17	1030	2	Yoke, Wheel 1" Shaft
17B	07016	(2)	Yoke, Wheel 3/4" Shaft
18	1027	2	Bolt, Axle
19	1016	4	Washer, Standard Flat
20	1033	2	Bushing, Spanner
21	1028	2	Nut, ESN
22	1017-2RB	2	Bearing, Roller Heavy Duty
23	1040	2	Wheel Assembly With Bearings
24	1011	1	CableHang-Up Kit (Not Shown)
25	1042	2	Bronze Bushing
26	1045	2	Washer, Spring
27	1017KP	4	Keeper, Bearing SI
28	05864	1	Pro-Sulky label
29	SR#	1	Serial Number tag (Not Visible)
30	11064	1	Washer
31	11099	1	Nut, Jam



Note: Items 22 & 27 are sold as a kit See # 1017-2RBK

SELBRO INCORPORATED Bellevue, Ohio 44811

Shipping weight approx 57 Lbs

PS-2003 Sulky
Instructions



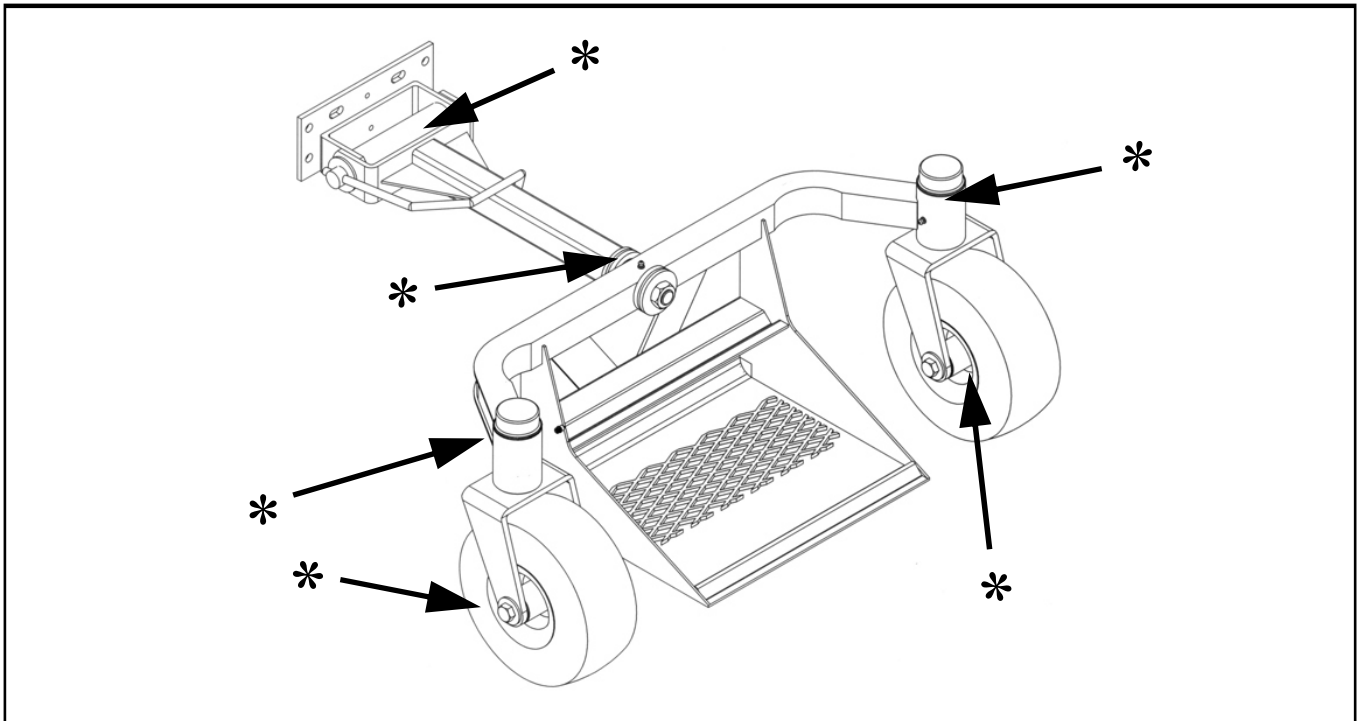
Sulky Model PS-2003

Safety Warnings

Before using your sulky:

- 1) Read, understand and follow all mower manufacturer's operation and safety instructions. You should become completely familiar with all safety controls and how to start and stop your mower safely. Know the location and function of all operator presence controls that automatically shut the mower off when you release the handles.
- 2) Use equipment at slow speeds until you become completely familiar with both mower and sulky.
- 3) Check the area before mowing with sulky. Be aware of any holes, drop-offs, tree limbs or branches, as the sulky swings out on turns and moves up and down over the terrain.
- 4) Do not operate in rough terrain or too close to obstacles.
- 5) Clear area to be mowed with sulky of any objects such as rocks, toys, wire, tree limbs, etc.
- 6) Never carry passengers.
- 7) Slow down before turning; avoid erratic operation and excessive speeds.
- 8) Do not operate sulky while under the influence of alcohol or drugs.
- 9) Wear sturdy, rough-soled work shoes. Never operate or use sulky in bare feet or sandals..
- 10) Do not use sulky near drop-offs, ditches or embankments! A wheel over the edge or an edge caving-in could cause a sudden overturn of sulky and mower.
- 11) We do not recommend staying on sulky while backing up unless your mower is a dual hydrostatic machine.
- 12) Mowing or using your sulky on all slopes requires extra caution.
- 13) Use slow speeds. Keep all movements on the slopes slow and steady. Do not make sudden changes in speed or direction. Quick acceleration or braking could cause the front of the mower to lift, tip sideways or slide, which could cause serious injury.
- 14) Avoid starting or stopping on any hillside. If tires lose traction, disengage mower blades and move slowly straight across the slope or hillside.
- 15) Do not turn on slopes unless necessary. If absolutely necessary, turn slowly and gradually across and down slope / hillside.
- 16) Do not mow or use sulky on wet grass as it will increase or cause sliding.
- 17) Do not mow up or down hillsides or slopes over 10° while using sulky.
- 18) Use extra care when moving equipment on and off trailer.

Do not ride on sulky when loading or unloading



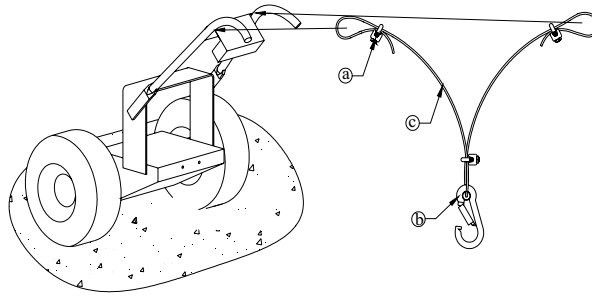
This Sulky is shipped from the factory without grease. Grease where indicated(*) before each use. Regular maintenance will insure a long service life.

Transport / Hang up guidelines

A cable hook up kit is supplied with each sulky:

Cable kit # 1011

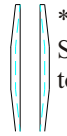
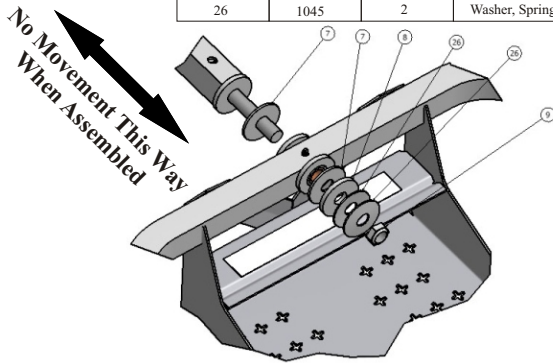
- (a) 3 ea. Cable clamps # 1063
- (b) 1 ea. Snap Hook # 1064
- (c) 4 ft. length of cable # 1065



Linkage arm washer assembly sequence

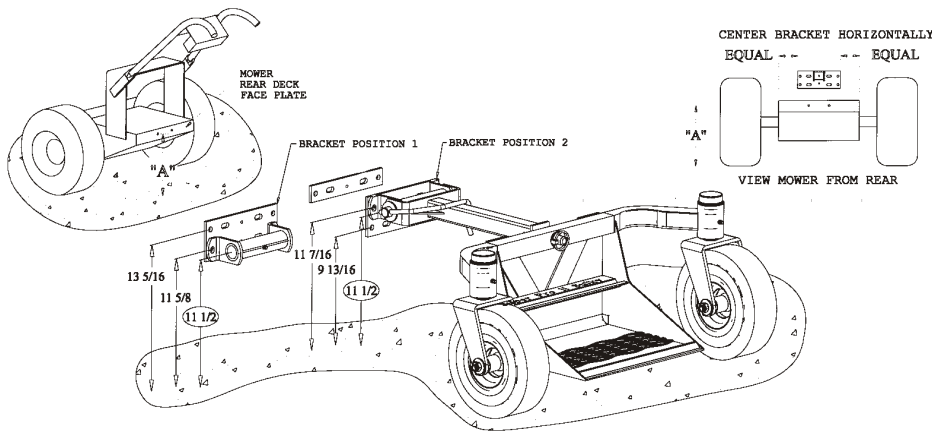
Ref #	Part #	# Required	Description
6	1523	1	Forearm, Pivot Linkage
7	1046	2	Thrust Washer
8	1012	1	Washer, Special H.D.
9	1034	3	Nut, ESN
10	1050	1	Deck Pan
26	1045	2	Washer, Spring

- 1) Place thrust washer (#7) over forearm shaft (#6).
- 2) Insert forearm shaft (#6) through support arm pivot hole (#10)
- 3) Place thrust washer (#7) Then H.D. Washer(#8) on shaft (#6)
- 4) Spring washers should be face to face as shown below *. Place spring washers on shaft (#6)
- 5) Turn nut (#9) using a 5/16 " deep well socket or open end wrench until nut is snug and there is NO endplay.



* Spring washers to be face to face with outside edges touching.

Universal Bracket installation guidelines 1038-2



No Drill OEM Brackets available. Ask your dealer for details or call
800-9SELBRO
973-5276

- 1) Disengage the mower PTO, make sure engine is off - remove the ignition key to prevent accidental starting.
- 2) As illustrated above, the mounting bracket is designed to mount on the mower rear deck pace plate.
 - ⚡ The bracket must be centered horizontally on the mower rear deck face plate.
 - ⚡ The bracket center pin vertical dimension should be maintained at approx. 11 1/2" as illustrated.
 - ⚡ Clamp the bracket on the rear deck face plate. Make sure the bracket is aligned both vertically and horizontally.
 - ⚡ Check the sulky deck platform for level and adjust as necessary.
 - ⚡ Drill holes using a 3/8 " drill bit. NOTE: before drilling, make sure you inspect behind the face plate for belts and pulley's.
 - ⚡ After drilling, bolt the bracket in place using the supplied hardware. Be sure to use ALL Four or Six bolt as supplied.
 - ⚡ Bolts can go through face plate in either direction.