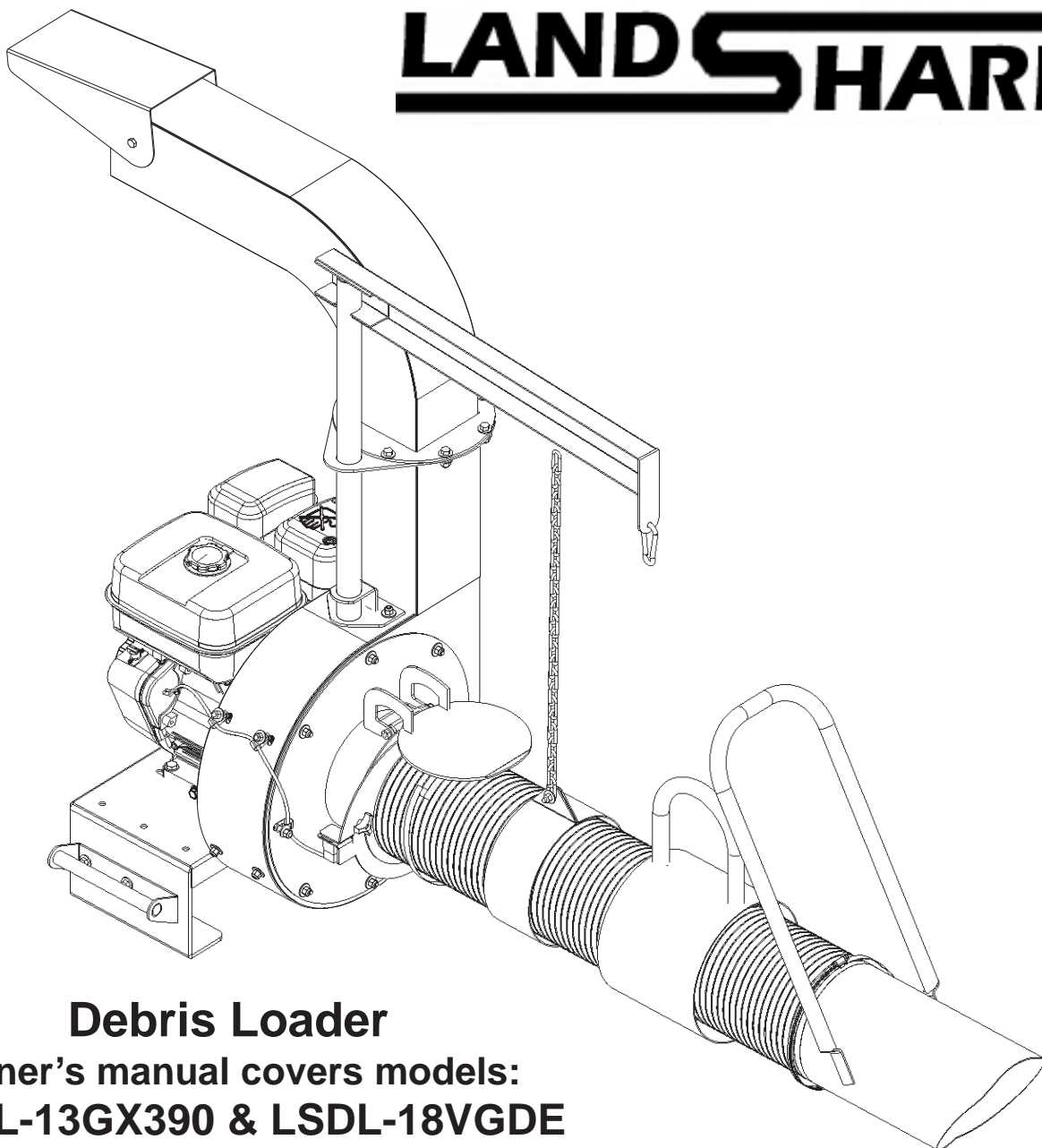




# LANDSHARK™



## Debris Loader

Owner's manual covers models:  
**LSDL-13GX390 & LSDL-18VGDE**

555 Goodrich Rd  
Bellevue, OH 44811  
419-483-9918  
419-483-8128 fax  
[www.selbro.com](http://www.selbro.com)  
[Salesinfo@selbro.com](mailto:Salesinfo@selbro.com)

**SELBRO** *a PowerQuip*  
INCORPORATED *Company*



## CONTENTS

<b>SPECIFICATIONS</b>	<b>3</b>
<b>INSTRUCTION LABELS</b>	<b>4</b>
<b>SHIPPING CHECKLIST</b>	<b>5</b>
<b>ILLUSTRATED PARTS DIAGRAM</b>	<b>6</b>
<b>PARTS LIST</b>	<b>7</b>
<b>ASSEMBLY</b>	<b>8</b>
<b>SAFETY INSTRUCTIONS - DO NOT DO</b>	<b>9</b>
<b>SAFETY INSTRUCTIONS - DO</b>	<b>10</b>

We would like to thank you for your purchase of our professional grade LandShark 18Hp debris loader. All our products are fabricated and assembled using quality parts and heavy gauge steal materials in our Bellevue, Ohio facility. The machine you have is designed to provide many years of service.

The LandShark Team



## Specifications

Model Number	LSDL-13GX390	LSDL-14EX400 <b>Obs</b>	LSDL-18VGDE
Engine: HP	13 (9.69kW)	14 (10.4kW)	18 (13.4kW)
Engine Model	GX390U1QA2	EX400DF5030	3564470011F1
	Honda	Robin	Briggs & Stratton
Mounting	Skid Mount	Skid Mount	Skid Mount
Fuel Type	Gas	Gas	Gas
Engine: Fuel Capacity	6.9 qt (6.5L)	7.4 qt (7.0L)	9.0 qt (8.52L)
Engine: Oil Capacity	1.16 qt (1.1L)	1.3 qt (1.2L)	1.75 qt (1.66L)
Loader total Weight	244lbs / 537.9kg	244lbs / 537.9kg	337lbs / 742.9kg
Maximum Operating Slope	25 deg	25 deg	25 deg
Dimension – Height	47	47	49
Dimension – Width	22	22	29
Dimension – Length	26	26	34
CFM	3500	3500	4400
Intake Hose	8in x 10ft Clear Urethane	8in x 10ft Clear Urethane	10in x 10ft Clear Urethane
Discharge	5.75in x 5.75in	5.75in x 5.75in	7.0in x 7.0in
Starter	Recoil	Recoil	Electric/Recoil
Impeller	5/16in Steel	5/16in Steel	5/16in Steel
Shredding	Yes/ up to 12:1	Yes/ up to 12:1	Yes/ up to 12:1
Diameter	16in	16in	18in
Engine Shaft Connection	Bored to Size	Bored to Size	Taper Lock Hub
Replaceable Housing Liner	12GA Steel	12GA Steel	12GA Steel

**Battery (Electric Models Only)** (NOTE: Batteries are NOT included with machines) (Battery Group U1)  
 We recommend a standard garden “Lawn and Garden” battery with top terminals.

LSDL-18VGDE	CCA @ 0 Deg F	AH Rating	L-W-H
	330	20	7.7 x 5.1 x 6.89

# INSTRUCTION / SAFETY LABELS AND SYMBOLS

The labels shown here have been installed in various locations on the LandShark Debris loader. It is important to maintain these labels in good condition and replace them when necessary. The part numbers are included in the Illustrated parts List.



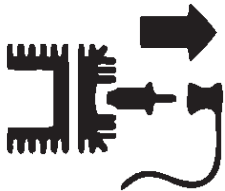
LSDL - INSTRUCTION  
WARNING LABEL  
P/N 1100-074



DANGER KEEP HANDS AND  
FEET AWAY P/N 12133



CAUTION



DISCONNECT SPARK PLUG  
BEFORE SERVICING



WEAR PERSONAL  
PROTECTION EQUIPMENT



READ OWNERS  
MANUAL



SPECIAL TOOLS  
REQUIRED



CAUTION THROWN  
OBJECTS



**WARNING**  
WARNING  
PROPOSITION 65

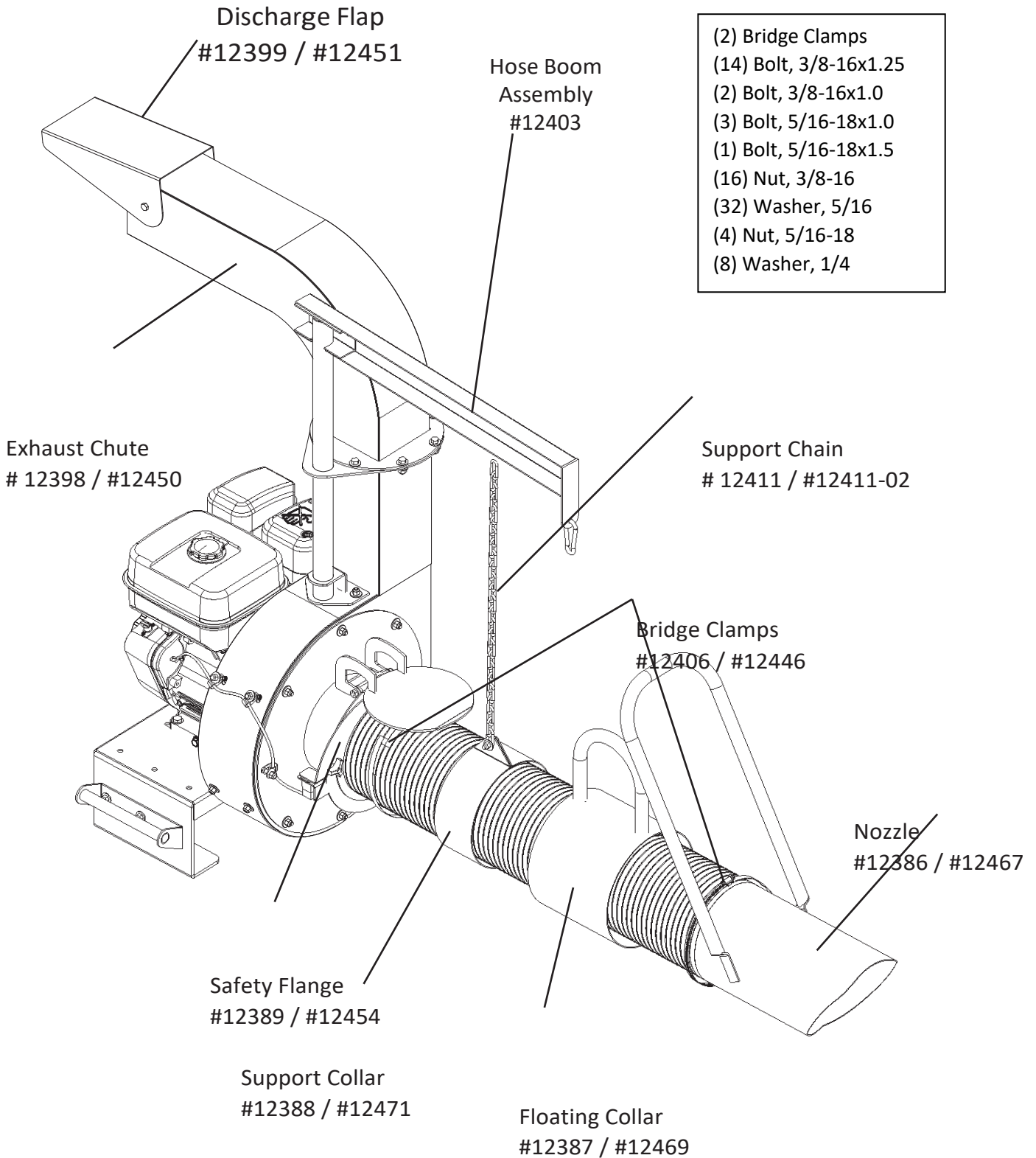


# Loose Parts Check List

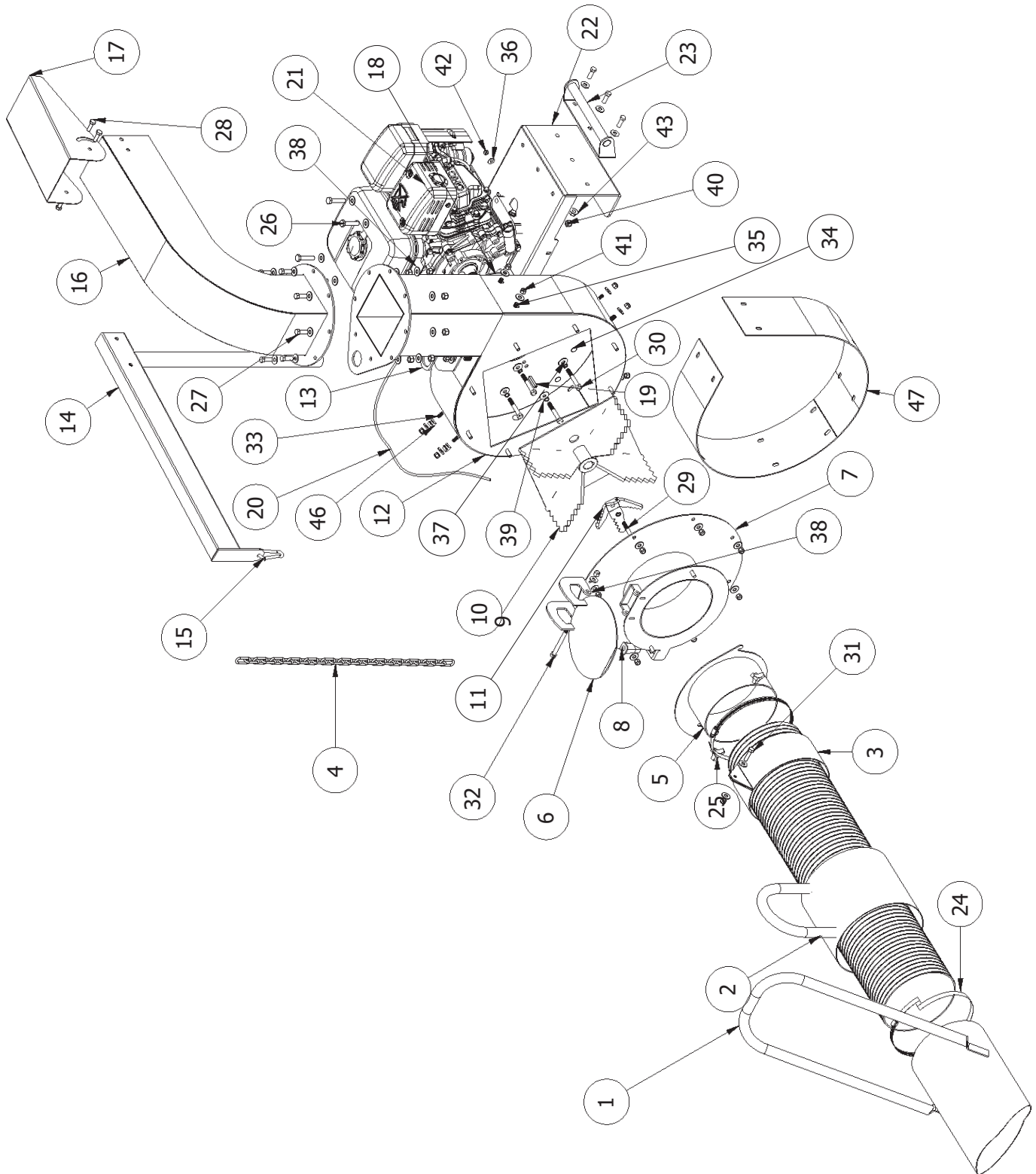
The LandShark Debris Loader is shipped fully assembled except for a few components: Discharge Chute, Nozzle, Floating Collar, Hose Support Collar, Hose Support Boom, Hose Clamps and Miscellaneous Hardware.

## Hardware Bag Contents

- (2) Bridge Clamps
- (14) Bolt, 3/8-16x1.25
- (2) Bolt, 3/8-16x1.0
- (3) Bolt, 5/16-18x1.0
- (1) Bolt, 5/16-18x1.5
- (16) Nut, 3/8-16
- (32) Washer, 5/16
- (4) Nut, 5/16-18
- (8) Washer, 1/4



# Parts Illustration





## Parts List

Item	Qty	Part No 13Hp/Both	Part No 18Hp	Description
1	1	12386	12467	Nozzle, Hose
2	1	12387	12469	Floating Handle
3	1	12388	12471	Support Collar
4	1	12411-01	12411-02	Support Chain
5	1	12389	12454	Safety Flange, Hose
6	1	12391	12453	Safety Plate
7	1	12390	12452	Intake Assembly, Housing
8	1	12370		Interlock Switch
9	1	12445	12445-01	8" Hose / 10" Hose - 10ft
10	1	12393	12458	Impeller
11	1	12392	12466	Shark Blade
12	1	12396	12456	Housing
13	1	12400		Hanger Arm Base
14	1	12403		Hanger Arm Assy
15	1	05870		Adjustable Snap Clip
16	1	12398	12450	Chute Assy
17	1	12399	12451	Discharge Flap
18	1	12404	12462	Engine Spacer
19	1	1100-012		Key Stock, 0.25
20	1	12416	12472	Harness, Safety Interlock
21	1			Engine, Model Specific
22	1	12394	12457	Motor Base
23	2	12395	12455	Handle, Base
24	2	12406	12446	Bridge Clamp
25	2	12407		Quick Release Knob
26	4	11149		Bolt, 3/8-16 x 1.75"
27	14	11376		Bolt, 3/8-16 x 1.0"
28	3	11815		Bolt, 5/16-18 x 1.0"
29	1	12409	12447-1	Bolt, Impeller, Grade 8
30	4	11395		Bolt, 3/8-16 x 2.5"
31	1	11147		Bolt, 5/16-18 x 1.25"
32	1	12410		Bolt, 5/16-18 x 4.0"
33	4	11709		Bolt, Carriage, 5/16-18 x 1.0"
34	3	12408		Bolt, Carriage, 1/4-20 x 1.0"
35	8	12001		Bolt, Carriage, 5/16-18 x 0.75"
36	3	11845		Washer, 0.25"
37	4	11155		Washer, 0.375"
38	56	11366		Washer, 5/16 USS
39	5	11525		Washer, Split Lock, 5/16
40	13	11150		Nut, Nylon, 3/8-16
41	24	11905		Nut, Nylon, 5/16-18
42	3	11151		Nut, Nylon, 1/4-20
43	6	11150		Nut, Nylon, 3/8-16
46	3	11103		Strain Relief Clamp



## Assembly

1) Attach the handles to the side or top of the base using six 3/8-16 x 1.25" bolts, nuts and washers.

**2) SECURELY ATTACH** the Loader to the bed of a truck, trailer or install using hanging tailgate brackets (Optional) so the chute discharges into an enclosed container. Keep in mind, this loader **MUST** be securely mounted to the bed of a truck or trailer prior to and during all operation and assembly.

3) ASSEMBLE INTAKE HOSE. Slide the floating collar (item 2) on one end and attach the nozzle using a bridge clamp (items 1 and 24). Securely fasten the clamp. On the other end of the hose, slide the support collar over the hose and attach the safety flange to the hose using the second bridge clamp (item 24).

4) ASSEMBLE hanger arm (item 14) and attach support chain (item 4) to the hanger arm. Place the pole through the housing flange and into the base.

5) ATTACH safety flange to the front of the debris loader housing using the two phenolic securing knobs. Carefully stretch the hose and secure the support collar (item 3) at a point where the chain dangles to the hose.

6) ATTACH the discharge chute (item 16) to the top of the loader housing and secure with 8 bolts, washers and nuts in the appropriate direction to load debris in an enclosed container. Install the discharge flap (item 17) and secure with the supplied hardware (three 5/15-18 x 1.0" bolts, eight washers, three lock nuts).

7) FILL engine with oil. FAILURE to do so will void the warranty from the engine manufacturer.

(8) Don't forget to fill out your warranty registration!

### **MOUNTING**

**This unit must be securely fastened to a trailer, truck bed or use the optional hanging brackets prior to operation. The unit is not intended to be operated free standing and will create an unsafe situation if attempted.**

**The loader must be secured using 3/8 diameter bolts with washers and lock nuts.**





## Safety Instructions - DO NOT

**DO NOT OPERATE THIS UNIT FREESTANDING. IT MUST BE SECURED USING ONE OF THE SPECIFIED MOUNTING OPTIONS.**

**DO NOT** operate this equipment with ANY safety features or guards removed

**DO NOT** run this equipment indoors or in any poorly ventilated area. Refuel outdoors only

**DO NOT** refuel this equipment when engine is running. Allow engine to cool for several minutes before refueling

**DO NOT** store gasoline near open flame

**DO NOT** remove gas cap while engine is running

**DO NOT** start or operate engine if a strong odor of gasoline is present

**DO NOT** operate engine with grass, leaves or other combustible material near the muffler

**DO NOT** leave equipment unattended while in operation

**DO NOT** operate the equipment with bystanders in the area

**DO NOT** allow children to operate this equipment

**DO NOT** operate this equipment on slopes greater than listed in the specifications section of this manual

**DO NOT** place hands or feet inside the nozzle intake, debris discharge outlet or near any moving parts

**DO NOT** run this machine with a damaged impeller under any circumstances or with excessive vibration

**DO NOT** use this machine for solely vacuuming sand, dust, fine dirt, rocks, glass, string like material, grain, rags, cans, bark or water

**DO NOT** attempt to start the engine without the hose and all associated safety systems securely in place

**DO NOT** remove hose until engine and all moving parts have stopped.



## **Safety Instructions – DO**

ALWAYS remove the spark plug when performing any type of maintenance and servicing

ALWAYS check fuel lines and fittings for wear, cracks and leaks. Replace as necessary

ALWAYS keep hands and feet away from moving or rotating parts.

ALWAYS store fuel in approved safety containers

ALWAYS wear the appropriate personal protective equipment (PPE) when operating this machine.

ALWAYS inspect replaceable wear liner daily before each use.

**For questions and technical information  
contact your LandShark Team at:**

**1-800-973-5276**

**555 Goodrich Rd,  
Bellevue, Ohio 44811**

